

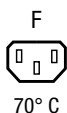
IEC Appliance Plug F with Fuseholder 1-pole

Plug removal necessary for fuse replacement



Snap-In Version

Snap-In Version



Description

- Panel Mount:
- Snap-In Version from front side
- 3 Functions:
- Outlet shuttered Protection class I, Fuseholder for fuse-links 5 x 20 mm 1-pole, with or without neon indicator
- Solder terminals 3.8 x 0.8 mm

Approvals

- VDE License Number: 40011534
- UL License Number: E93617

Characteristics

- With internal connections, except neon indicator to allow for different configurations
- Neon indicator with wire terminals
- With slotted screw type fuseholder
- Fuse drawer meets requirements of medical standard IEC/EN 60601-1
- The fuse drawer can only be opened with the aid of a tool
- The fuseholder is accessible from the equipment front
- Qualified for use in equipment according IEC/EN 60950

Other versions on request

- For protection class II

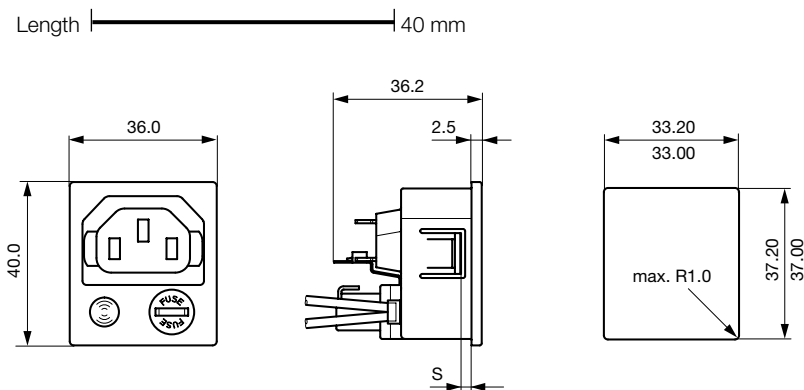
Weblinks

[Approvals](#), [RoHS](#), [CHINA-RoHS](#), [e-Store](#), [SCHURTER-Stock-Check](#), [Distributor-Stock-Check](#)

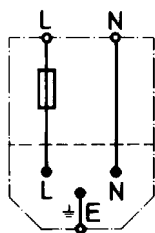
Technical Data

| | | | |
|---------------------------|--|-----------------------------------|--|
| Ratings IEC | 10 A / 250 VAC; 50 Hz | Appliance-Inlet/-Outlet | F acc. to IEC/EN 60320-2-2, UL 498, CSA C22.2 no. 42 (for cold conditions) pin-temperature 70 °C, 10 A, Protection class I |
| Ratings UL/CSA | 10 A / 250 VAC; 60 Hz | Fuseholder | 1 pole, Shocksafe category PC2 acc. to IEC 60127-6, for fuse-links 5 x 20 mm |
| Dielectric Strength | > 2.5 kVAC between L-N > 3 kVAC between L/N-PE (1 min/50 Hz) | Rated Power Acceptance @ Ta 23 °C | 5 x 20: 1.6 W (1 pole) |
| Allowable Operation Temp. | -25 °C to 70 °C | Power Acceptance @ Ta > 23 °C | Admissible power acceptance at higher ambient temperature see derating curves |
| Degree of Protection | from front side IP 40 acc. to IEC 60529 | | |
| Protection Class | Suitable for appliances with protection class I acc. to IEC 61140 | | |
| Terminal | Solder terminals 3.8 x 0.8 mm except neon indicator | | |
| Panel Thickness s | Snap-in: 1/1.2/1.5/2/2.5/3 mm | | |
| Material: Housing | Thermoplastic, black, UL 94V-0 | | |

Dimensions



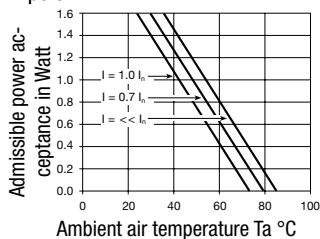
Diagrams



version without neon indicator

Derating Curves for Fuseholders

1-pole



Variants

[Distributor-Stock-Check](#) | [SCHURTER-Stock-Check](#) | [e-Store](#)

Socket and fuse-carrier

| Panel Thickness s [mm] | Neon indication | Order Number |
|---------------------------|-----------------|--------------|
| 1 | ● | 4719.3300 |
| 1.2 | ● | 4719.8300 |
| 1.5 | ● | 4719.4300 |
| 2 | ● | 4719.5300 |
| 2.5 | ● | 4719.6300 |
| 3 | ● | 4719.7300 |
| 1 | | 4719.3310 |
| 1.2 | | 4719.8310 |
| 1.5 | | 4719.4310 |
| 2 | | 4719.5310 |
| 2.5 | | 4719.6310 |
| 3 | | 4719.7310 |

Packaging unit 100 Pcs

Accessory

Description



Assorted Covers
Rear Cover

0859.0075